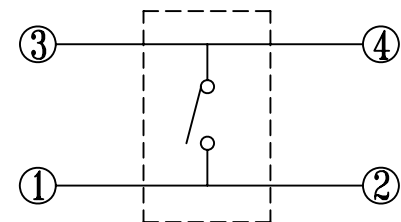
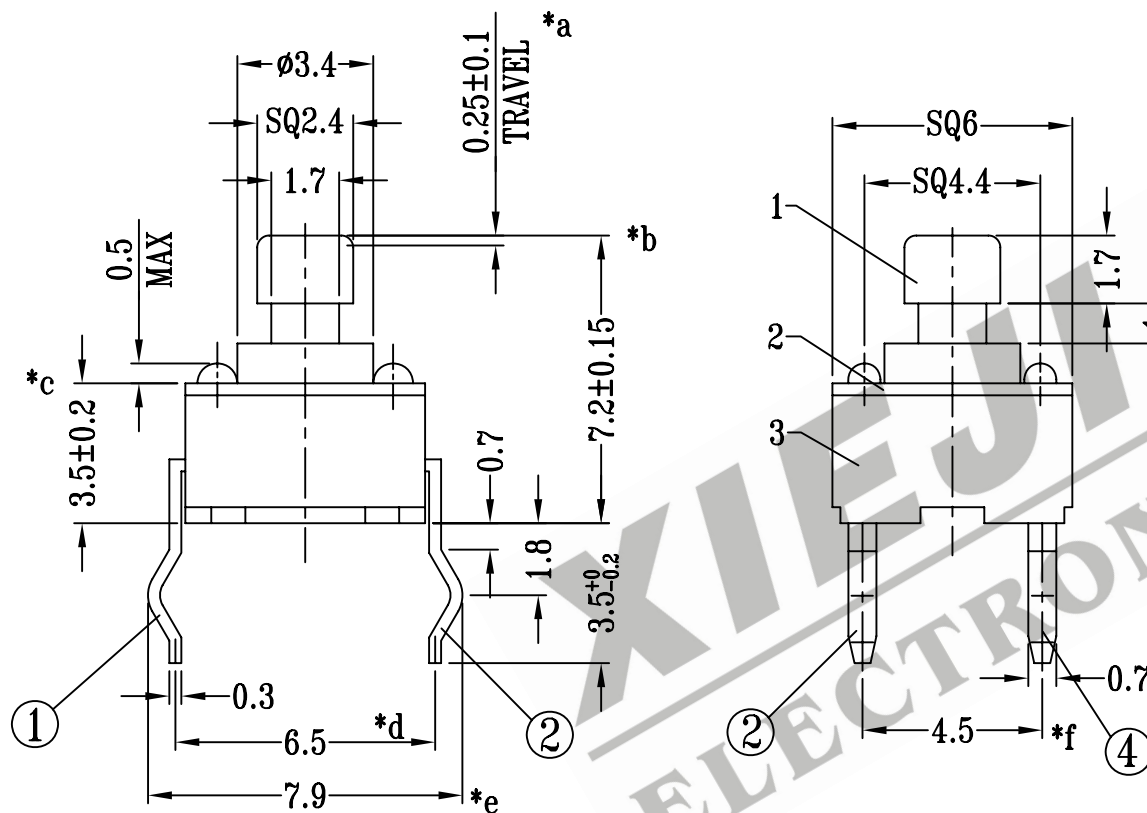


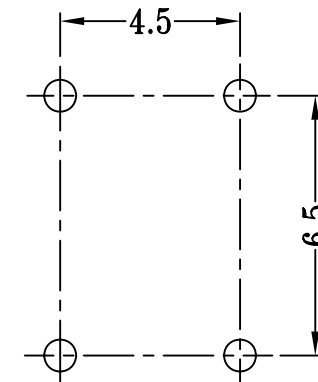
CAD FILE:



CIRCUIT DIAGRAM



OPERATING FORCE	CODE
100gf	T
130gf	V
160gf	X
170gf	W
190gf	Y
250gf	Z



P.C.B LAYOUT

注：“\*”表示关键尺寸（6个）

NO.	PARTS	MATERIALS	Q'TY	FINISH	TOLERANCE UNLESS SPECIFIED	SHENZHEN XIEJIA ELECTRONICS CO.,LTD.				
8					WITHIN : 1.5±0.1mm OVER : 1.5±0.2mm	ISSUE	DATE	DESCRIPTIONS OF REVISION		APPD.
7										
6										
5										
4	CONTACT	PBT/9 BRASS STRIP	1	BLACK/Ag PLATED	TITLE : TACT SWITCH		UNIT : mm	DRWG NO.: XJ-DR-TC2401-00		
3	CASE	SEE CONTACT CHART	1	Ag CLAD	MODEL: TC-2401		SCALE: 5:1	DWN.	ZHOUYU	2000-8-21
2	COVER	PET/0.3mm ZINC PLATE	1	SEE COVER CHART				CHK'D	FANGYING	2000-8-21
1	KNOB	POM	1	BLUE	ALL MATERIALS MUST BE COMPLIANT TO ROHS		APPD.	KANGXINAN	2000-8-21	